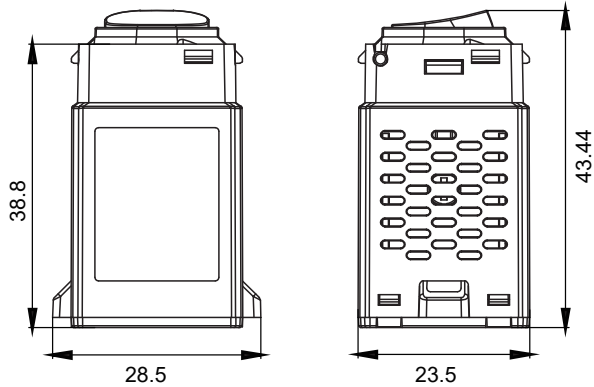


# User Guide

## Push Button Multiway Dimmer

Item NO.: D361MP

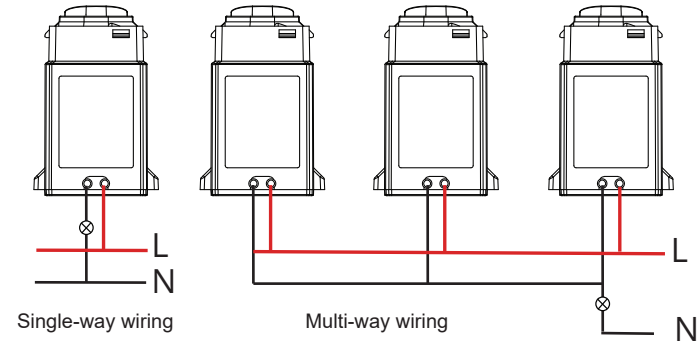


- ① Min. brightness adjustable
- ② Max. brightness self-adjust
- ③ Speed adjustable
- ④ No neutral required
- ⑤ Turn-off memory
- ⑥ OT & OL protection
- ⑦ Soft start protection

### 1. Technical Data

Model No.	D361MP
Description	WiFi Rotary LED Dimmer
Input Voltage	220-240V
Input frequency	50Hz
Load	LED 5-300W Incandescent 5-300W Halogen 5-300W
Dimming mode	Trailing edge
Control Way	multiway
Material	Heatsink Aluminum Bottom Case PC
Color	black
Weight(g)	23.2g
Operating temperature	-10℃ ~ +40℃
Dimension(mm)	43.44*38.8*28.5mm

### 2. Dimmer wiring diagram



### 3. Operation and function

<b>Get-up mode</b>	<ol style="list-style-type: none"> <li>1. Press the dimmer button twice in a row while the lights off, and the light will gradually brighten from the minimum brightness to the maximum brightness over 30 minutes.</li> <li>2. The indicator light flashes once every 2 seconds during the process.</li> <li>3. Any operation on any dimmer in parallel can exit this mode</li> </ol>
<b>Fall-asleep mode</b>	<ol style="list-style-type: none"> <li>1. Press the dimmer button twice in a row while the lights on, and the light will gradually dim from the current brightness until it is turned off over 30 minutes.</li> <li>2. The indicator light flashes once every 2 seconds during the process.</li> <li>3. Any operation on any dimmer in parallel can exit this mode.</li> </ol>
<b>Enter configuration mode</b> (all dimmers enter this mode simultaneously)	<ol style="list-style-type: none"> <li>1. When the dimmer is powered on for &lt;15 mins: a. Press and hold the button for 10s. During the process, the light will dim normally and the light goes out at 10s, all dimmer indicator lights will flash twice per second, indicating that the dimmer has entered configuration mode (if there are multiple dimmers in parallel, all dimmers will enter configuration mode at the same time).</li> <li>2. When the dimmer is powered on for &gt; 15 mins: a. Press and hold the button for 30s. During the process, the light will dim normally and the light goes out at 30s, all dimmer indicator lights will flash twice per second, indicating that the dimmer has entered configuration mode (if there are multiple dimmers in parallel, all dimmers will enter configuration mode at the same time).</li> <li>3. After entering the configuration mode, the power-on time will be reset. If you exit this mode within 15mins, you can enter the configuration mode again via press and hold the button for 10s.</li> <li>4. 30s timeout, it will automatically exits the configuration mode.</li> </ol>
<b>Min. brightness setting</b> (all dimmers enter this mode simultaneously)	<ol style="list-style-type: none"> <li>1. Enter configuration mode</li> <li>2. Press the dimmer button twice quickly, all dimmers enter the minimum brightness setting mode, the light return to the original minimum brightness setting, and the indicator lights of all dimmers flash twice per second (if no operation is performed within 30s after entering the configuration mode, it will exit the configuration mode).</li> <li>3. Press and hold the dimmer button to set the minimum brightness that you need (if there are multiple dimmers in parallel, other dimmers can be set as well), the minimum brightness setting range is 1-100%.</li> <li>4. Press any dimmer button once, all dimmers save the current brightness as the minimum brightness and exit configuration mode, the indicator flashes quickly 8 times.</li> </ol>
<b>Max. brightness setting</b> (all dimmers enter this mode simultaneously)	<ol style="list-style-type: none"> <li>1. Enter configuration mode</li> <li>2. Press the dimmer button 3 times quickly, all dimmers enter the maximum brightness setting mode, the lights return to the original maximum brightness setting, and the indicator lights of all dimmers flash 3 times (if no operation is performed within 30s after entering the configuration mode, it will exit the configuration mode).</li> <li>3. Press and hold the dimmer button to set the maximum brightness that you need (if there are multiple dimmers in parallel, other dimmers can be set as well), the maximum brightness setting range is 1-100%.</li> <li>4. Press any dimmer button once, all dimmers save the current brightness as the maximum brightness and exit configuration mode, the indicator flashes quickly 8 times.</li> </ol>

<p><b>Quick start brightness on/off settings</b> (all dimmers enter this mode simultaneously)</p>	<ol style="list-style-type: none"> <li>1. Enter configuration mode</li> <li>2. Quickly press the dimmer button 4 times to enter the quick start brightness on/off mode for all dimmers. If the light is off, it means the quick start brightness function is disabled (by default). If the light is on and at the Max. brightness, it means function is enabled. All dimmer indicator lights flash 4 times (if no operation is performed within 30s after entering the configuration mode, it will exit the configuration mode).</li> <li>3. Press the dimmer button once to switch the light on/off (the light only has two states in this setting: off or maximum brightness).</li> <li>4. Press any dimmer button once to save the current quick start brightness state, on (when the light is on) or off (when the light is off) and exit the configuration mode. The indicator light will flash quickly 8 times.</li> <li>5. If the light is turned on at less than 50% brightness, it will first light up to 50% brightness and then return to the set brightness.</li> </ol>
<p><b>Indicator light status setting when turning off the lights</b> (1 dimmer enters this mode)</p>	<ol style="list-style-type: none"> <li>1. Enter configuration mode</li> <li>2. Quickly press the dimmer button 5 times to enter the mode of setting the indicator light status, and other connected dimmers will exit the configuration mode. The indicator light of the current dimmer flashes 5 times per second, and the indicator light of other dimmers returns to normal steady light (if no operation is performed within 30s after entering the configuration mode, it will exit the configuration mode).</li> <li>3. If the light is on, it means the current dimmer indicator light will be on when light is turned off (by default), if the light is off, it means the current dimmer indicator light will be off when light is turned off.</li> <li>4. Press the dimmer button to change the on or off of the light (the light has only two states: off or maximum brightness).</li> <li>5. Press the current dimmer button once to save the function on (light on) or off (light off) and exit this mode. The indicator light will flash quickly 8 times. When turn off the current dimmer, the indicator light will stay on for 15s before turning off.</li> </ol>
<p><b>Independent switch mode setting</b> (1 dimmer enters this mode)</p>	<ol style="list-style-type: none"> <li>1. Enter configuration mode</li> <li>2. Press the current dimmer button 6 times quickly to enter the setting mode, other dimmers will exit the configuration mode. The indicator light of the current dimmer flashes 6 times, while the indicator lights of other dimmers return to normal. (If no operation is performed within 30s after entering the configuration mode, it will exit the configuration mode.)</li> <li>3. If the light is on, it means the function is enabled, if the light is off, it means the function is disabled. Press and hold the dimmer button or rotate it can change the light to off or on. The default independent switch mode is off. When the independent switch mode is turned on, it should be connected to an external mechanical switch, and the dimmer button's function of turning on/off the light is cancelled.</li> <li>4. Press the current dimmer button once to save the function on (light on, the brightness is the same as when the power is turned on) or off (light off) and exit this mode, the indicator light flashes quickly 8 times.</li> <li>5. When switching/memory dimming is set to switch dimming, pressing the button will switch between maximum and minimum brightness. When switching/memory dimming is set to memory dimming, short pressing the knob will switch between the memorized brightness and minimum brightness.</li> </ol>
<p><b>Switch/Memory dimming settings</b> (all dimmers enter this mode simultaneously)</p>	<ol style="list-style-type: none"> <li>1. Enter configuration mode</li> <li>2. Press the current dimmer button 7 times quickly to enter the setting mode. All dimmer indicator lights will flash 7 times (if no operation is performed within 30s after entering the configuration mode, it will exit the configuration mode).</li> <li>3. If the light is on and at the maximum brightness, it means the memory function is enabled. If the light is off, it means the switch function is enabled (by default). Press and hold any dimmer button can change the status of the light on or off.</li> <li>4. Press any dimmer button once, all dimmers will save the current function and exit the configuration mode, and the indicator light will flash quickly 8 times.</li> <li>5. The default is switch dimming function, which means that after turning on the light, the light will reach the maximum brightness, for the memory dimming function, it means that after turning on the light, the light will reach the remembered brightness.</li> </ol>
<p><b>Multi-way dimming mode setting</b> (1 dimmer enters this mode)</p>	<ol style="list-style-type: none"> <li>1. Enter configuration mode</li> <li>2. Quickly press the current dimmer button 8 times to enter the setting mode, and the indicator light flashes 8 times. Other dimmers exit the configuration mode, and the indicator light returns to normal. (If no operation is performed within 30s after entering the configuration mode, it will exit the configuration mode).</li> <li>3. If the light is on, it means the current dimmer is in multi-way dimming mode. If the light is off, it means the current dimmer is in single-way dimming mode. Press and hold dimmer button can change the status of the light on or off. Press the current dimmer button once to save the current dimming mode and exit, the indicator light will flash quickly 8 times.</li> </ol>

<p><b>Three-step dimming mode setting</b> (1 dimmer enters this mode)</p>	<ol style="list-style-type: none"> <li>1. Enter configuration mode</li> <li>2. Quickly press the dimmer button 9 times to enter the setting mode, the indicator light flashes 9 times, and other dimmers exit the configuration mode and the indicator light returns to normal.</li> <li>3. If the light is off, it means the 3-step dimming mode is disabled (by default), if the light is on, it means the 3-step dimming mode is enabled. Press and hold dimmer button can change the status of the light on or off.</li> <li>4. Press the current dimmer button once to save the current mode state, the indicator light flashes quickly 8 times.</li> <li>5. In the 3-step dimming mode, press the dimmer button to cycle through 3 brightness levels: off -&gt; minimum brightness -&gt; 50% brightness -&gt; maximum brightness. When press and hold the button, it will switch to the next state every 1.5 seconds. When set to independent switch mode, the brightness will cycle through minimum brightness -&gt; 50% brightness -&gt; maximum brightness.</li> </ol>
<p><b>Reset the dimmer</b> (1 dimmer enters this mode)</p>	<ol style="list-style-type: none"> <li>1. Enter configuration mode</li> <li>2. Press the dimmer button quickly 10 times to reset all settings of the current dimmer. The indicator light will flash quickly 8 times, and other dimmers will exit the configuration mode. The indicator light will return to normal.</li> <li>3. This function only resets the current dimmer, and does not affect other dimmers.</li> </ol>

## 4. WARNING

- Installation must be carried by a qualified electrician.
- Before installation, please check whether it conforms to local electric standards
- Power supply must be turn off when install and clean the dimmer.
  - Wipe the surface dust or dirt with soft cloth or tissue, do not use the detergent or other corrosive chemical solution.
- Please place and protect the cover properly when it's in installation to avoid the damage.
- There is no strong impact, vibration, electromagnetic field interference, corrosion, or dusty gas around the usage environment
- The product should avoid frost, condensation, water seepage, rain, etc.