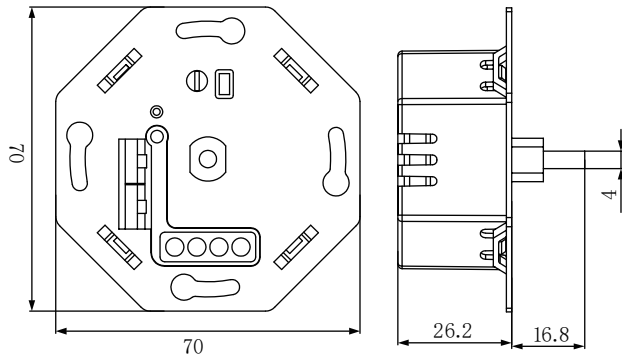


User Guide

European Rotary LED Dimmer-Wifi

Item NO.: D688-WF

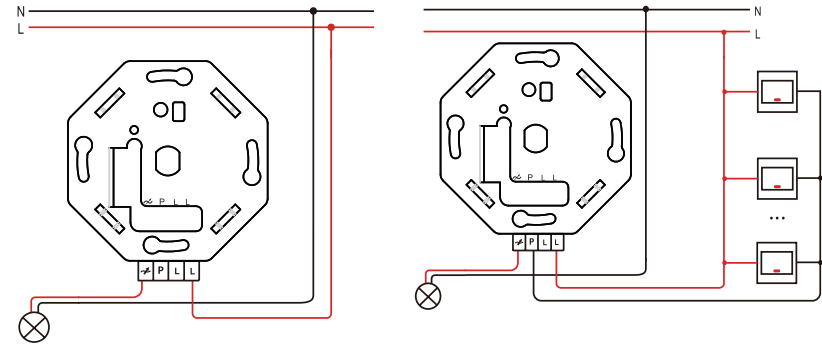


- ① Min. brightness adjustable
- ② Max. brightness self-adjust
- ③ Soft start protection
- ④ Work without neutral wire
- ⑤ Turn-off & power cut memory
- ⑥ Recoverable type OT OL & SC protection

1. Technical Data

Model No.	D688-WF
Description	European Rotary LED Dimmer-Wifi
Input Voltage	220-240V
Input frequency	50Hz
Load	LED RL: 10-150W RC: 5-250W Incandescent 5-250W Halogen 5-250W
Dimming mode	Trailing Edge & Leading Edge
Control Way	Multiway
Material	Heatsink Aluminum Bottom Case PC
Color	White
Weight(g)	64.3
Dimension(mm)	70*70*43mm

2. Dimmer wiring diagram



3. Operation and function

Turn on/off	Short press the push button to power on or off
Dimming function	Long press the push button to gradually min. or max. the brightness.
Minimum brightness fine-tuning setting	Rotate clockwise for fine adjustment, and the brightness of the light gradually increases; Rotate counterclockwise to gradually reduce the brightness of the light
Turn off the lights memory	1. After turning on, adjust the light to any brightness value, stop for 2 seconds, and then press the switch to turn off the device. 2. After shutting down for 2 seconds, press the switch to turn on the device.
Reset	Long press the device reset switch for over 5 seconds, and the device blue LED will flash for 3 minutes, indicating that the reset is complete
Mobile App control	1. Download the Tuya Smart app. 2. Tap 'creat new account' or log in to account' 3. Follow the in-app prompts and tap 'Ok' 4. Click on the "+" in the upper right corner → Lighting → Light source (Bluetooth+Wi Fi) → Confirm the flashing light (press and hold the RES button for 5 seconds, the host's blue LED will flash) → Choose WIFI 2.4G, next step → APP link → Complete (the host's blue LED stays on for 5 seconds). If not completed, repeat the above steps

4. WARNING

- a. Installation must be carried by a qualified electrician.
- b. Before installation, please check whether it conforms to local electric standards
- c. Power supply must be turn off when install and clean the dimmer.
Wipe the surface dust or dirt with soft cloth or tissue, do not use the detergent or other corrosive chemical solution.
- d. Please place and protect the cover properly when it' s in installation to avoid the damage.
- e. There is no strong impact, vibration, electromagnetic field interference, corrosion, or dusty gas around the usage environment
- f. The product should avoid frost, condensation, water seepage, rain, etc.