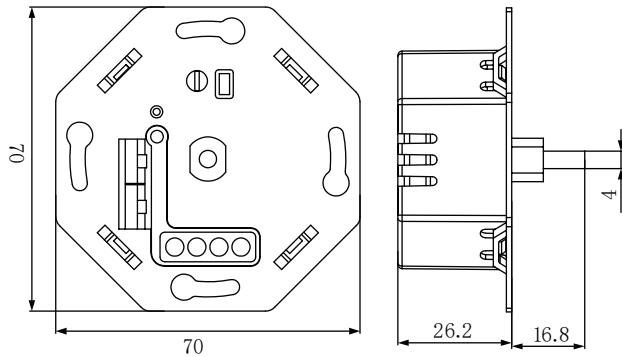


User Guide

European Rotary LED Dimmer-Zigbee

Item NO.: D688-ZG

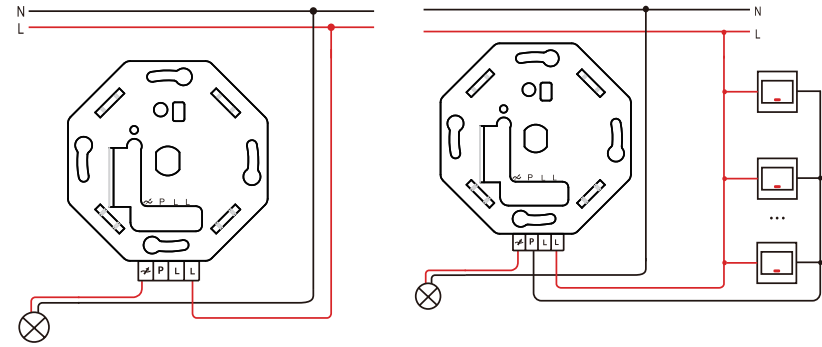


- ① Min. brightness adjustable
- ② Max. brightness self-adjust
- ③ Soft start protection
- ④ Work without neutral wire
- ⑤ Turn-off & power cut memory
- ⑥ Recoverable type OT OL & SC protection

1. Technical Data

Model No.	D688-ZG	
Description	European Rotary LED Dimmer-Zigbee	
Input Voltage	220-240V	
Input frequency	50Hz	
Load	LED	RL: 10-150W RC: 5-250W
	Incandescent	5-250W
	Halogen	5-250W
Dimming mode	Trailing Edge & Leading Edge	
Control Way	Multiway	
Material	Heatsink	Aluminum
	Bottom Case	PC
Color	White	
Weight(g)	63.2	
Dimension(mm)	70*70*43mm	

2. Dimmer wiring diagram



3. Operation and function

Turn on/off	Short press the push button to power on or off
Dimming function	Long press the push button to gradually min. or max. the brightness.
Minimum brightness fine-tuning setting	Rotate clockwise for fine adjustment, and the brightness of the light gradually increases; Rotate counterclockwise to gradually reduce the brightness of the light
Turn off the lights memory	1. After turning on, adjust the light to any brightness value, stop for 2 seconds, and then press the switch to turn off the device. 2. After shutting down for 2 seconds, press the switch to turn on the device.
Reset	1. Press and hold the device reset switch for more than 5 seconds, and the red indicator light will remain on, indicating a successful reset. 2. Short press the button three times within 1.5 seconds to disconnect from the network. During the process, the purple indicator light will illuminate for 1 second each time. If it stays on for 10 seconds, it indicates success. If it flashes three times, it indicates failure. After 30 seconds, it will time out.
Mobile App control	1. Open the "hue PHILIPS" app software; 2. Click on "Settings" in the bottom right corner → Hue Bridge → Add Hue Bridge → Find Hue Bridge → set up → Push notifications → link → Click the push link button on the Huebridge you want to connect to complete the connection; 3. Short press the "reset" button of the dimmer twice, and the blue light will flash 1S/time. The blue light stays on for 10 seconds to indicate successful networking, flashes three times to indicate failure, and times out after 3 minutes; 4. After the blue light stays on for 10 seconds, go to the "Settings" section of the app → select "Light Settings" → "Add Lamp" → "Search" → and finally "Add Lamp" to complete the process. 5. After successfully accessing the network, the APP returns to the "Settings" interface, selects the "Room and Area" option to enter a new interface, and then clicks "Create a" to enter the room settings interface. Click on the first column to enter the room name (can be default), and then select a new device that has been successfully connected to the network in the "Light Selection" below. Finally, click the "√" sign in the upper right corner of the interface to confirm the room creation.

4. WARNING

- a. Installation must be carried by a qualified electrician.
- b. Before installation, please check whether it conforms to local electric standards
- c. Power supply must be turn off when install and clean the dimmer.
Wipe the surface dust or dirt with soft cloth or tissue, do not use the detergent or other corrosive chemical solution.
- d. Please place and protect the cover properly when it' s in installation to avoid the damage.
- e. There is no strong impact, vibration, electromagnetic field interference, corrosion, or dusty gas around the usage environment
- f. The product should avoid frost, condensation, water seepage, rain, etc.