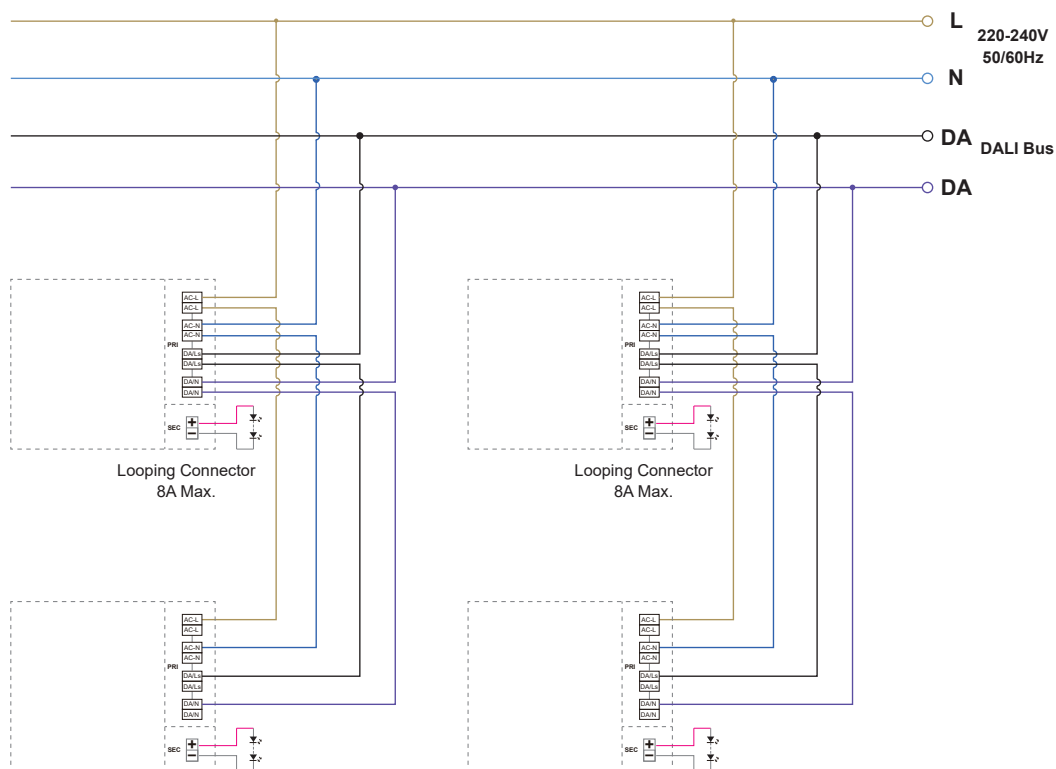




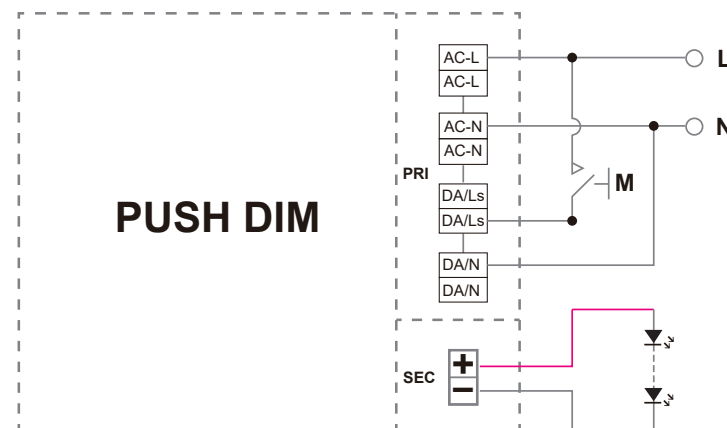
DR803-DL						
Voltage	Current	Power	1	2	3	4
A14-42V	1140mA	47.8W	-	-	-	-
	1170mA	49.2W	ON	-	-	-
	1240mA	51.9W	-	ON	-	-
14-40V	1270mA	50.8W	ON	ON	-	-
	1325mA	52.9W	-	-	ON	-
	1360mA	54.2W	ON	-	ON	-
14-38V	1420mA	54.0W	-	ON	ON	-
	1450mA	55.2W	ON	ON	ON	-

## 2. Dimmer wiring diagram

### 2.1 DALI2



### 2.2 Push Dim



- Do not use more than 20pcs driver in a single PUSH-DIM application (up to 20 Driver can be controlled by one push-button). The greater the number of this series driver controlled simultaneously, the greater the risk of asynchrony.
- The cable length between the push-button and the farthest this series driver may not be longer than 105 meters. Compensation measures must be applied for line lengths required to be more than 105 meters long (bell transformer, resistance).
- The push button can only be connected to the AC/L and PUSH terminals of the driver. It results in the short circuit if the Push Button is connected to the AC/N terminal.

## 3. Operating and function

### 3.1 DALI 2 Dimming

- Compatible with both DALI-2 application controller or DALI-I master, please make sure they also qualified and listed in the DiiA website.
- Connect the DALI signal to the DA1 and DA2 terminals (polarity-free)
- Addressing possible:
  - Individually (max. 64 IP addresses)
  - In groups (max. 16)
  - All together
- The least dimming depth of DALI is of  $2\% \cdot I_{out}$ .
- Built-in with permanent memory: light returns to the previous dimming level when switched off and on again, even at power failure.

- f) Supports star, tree, serial, parallel wiring ,but not supports ring wiring
- g) If this series are not reacting to the command of the control unit. Please inspect the wiring; approx.

16 V DC must be applied to the DALI terminal of the this series.

DALI INPUT	MIN	TYP	MAX
High level	9.5V	16V	22.5V
Low level	-6.5V	0	6.5V

- h) DALI bus communication length and input wire diameter

Wire Diameter	Wire Diameter
0.5 2 mm	0.5 2 mm
0.75 2 mm	0.75 2 mm
1.0 2 mm	1.0 2 mm
≥1.5 2 mm	300m Max.

### 3.2 PUSH Dimming

Operation	Action duration	Action
Ultra Short Press	<0.04 sec	Won't cause any action
Briefly Press	0.04-0.5 sec	Light ON/OFF
Press and hold at ON status	0.50-5.0sec	Brightness Dimming down to 3%, or up to 100%
Press and hold at OFF status	0.50-5.0sec	Brightness Dimming From 2% up to 100%
Long Press	>15.0 sec	Reset to factory settings(up to 50%)

- a) Factory defaults 100% brightness, dimming level down to 3%.
- b) Built--in with permanent memory:Light returns to the previous dimming level when switched off and on again, even at power failure.
- c) Synchronization of switching state and dimming direction:

For physical reasons, a PUSH-DIM system can work asynchronously; in other words, the switching state and dimming direction of the individual luminaires are different. The following steps are used to synchronize a PUSH-DIM system:

- Step: Press and hold (> 0,5 s) → All luminaires switch on
- Step: Press briefly (< 0,5 s) → All luminaires switch off
- Step: Press and hold (> 0,5 s) → All luminaires switch on and dim

- d) The PUSH-DIM wiring and the operator button must be rated for mains voltage (240 V).
- e) Warning: Make sure the conduct core connected to PUSH terminal is not exposed, as it connected to the live wire.

### WARNING

- Installation must be carried by a qualified electrician.
- Before installation, please check whether it conforms to local electric standards
- Power supply must be turn off when install and clean the dimmer.  
Wipe the surface dust or dirt with soft cloth or tissue, do not use the detergent or other corrosive chemical solution.
- Please place and protect the cover properly when it' s in installation to avoid the damage.
- There is no strong impact, vibration, electromagnetic field interference, corrosion, or dusty gas around the usage environment
- The product should avoid frost, condensation, water seepage, rain, etc.