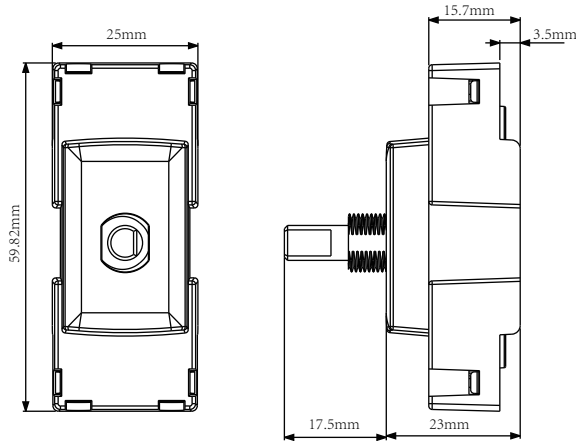


User Guide

Single-pole Switch Item NO.: S760



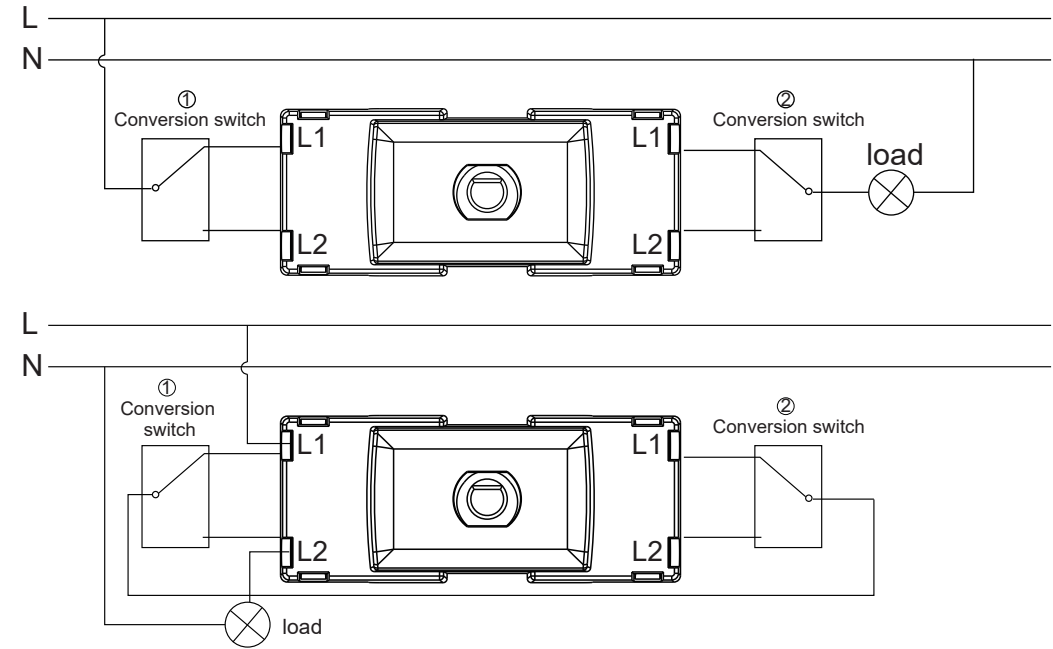
- ① Two way
- ② Electricity Statistics
- ③ Over current protection

1. Technical Data

| | |
|-------------------|--------------------|
| Model No. | S760 |
| Description : | Single-pole switch |
| Input Voltage : | AC220V-240V |
| Input frequency : | 50Hz |
| Output Current : | Max 6A |
| Control Way : | Two way |
| Enclosure : | PC |
| Dimension(mm): | 25*33.2*59.82mm |



2. Dimmer wiring diagram



3. Operating and function

- 1) When both switch ① and switch ② are switched to L1, pressing the potentiometer handle will light up the load lamp if it is off, or turn it off if it is on.
- 2) Following the previous step, switch ① to L2 while keeping switch ② at L1. The load lamp will light up if it is off, or turn it off if it is on; At this point, pressing the potentiometer handle will light up the load lamp if it is off, or turn it off if it is on.
- 3) Following the previous step, keep switch ① at L2 and switch ② to L2. The load lamp will light up if it is off, or turn it off if it is on; At this point, pressing the potentiometer handle will light up the load lamp if it is off, or turn it off if it is on.

WARNING

- a. Installation must be carried by a qualified electrician.
- b. Before installation, please check whether it conforms to local electric standards
- c. Power supply must be turn off when install and clean the dimmer.
Wipe the surface dust or dirt with soft cloth or tissue, do not use the detergent or other corrosive chemical solution.
- d. Please place and protect the cover properly when it' s in installation to avoid the damage.
- e. There is no strong impact, vibration, electromagnetic field interference, corrosion, or dusty gas around the usage environment
- f. The product should avoid frost, condensation, water seepage, rain, etc.