

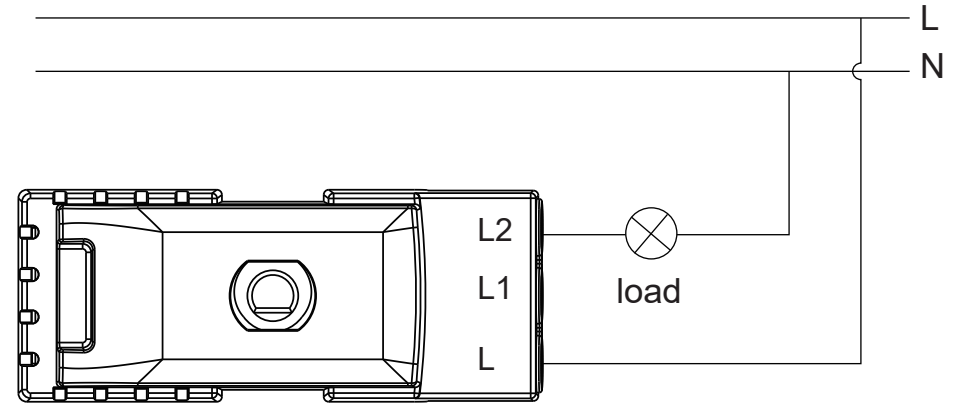
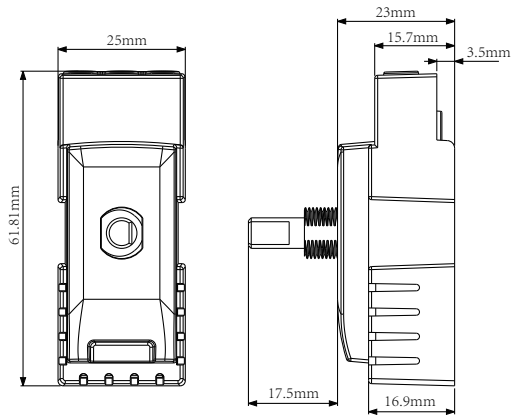
# User Guide

## Single-pole Switch

Item NO.: S759



## 2. Dimmer wiring diagram



- ① Turn on/off
- ② Electricity Statistics
- ③ Over current protection

## 1. Technical Data

Model No.	S759
Description :	Single-pole switch
Input Voltage :	AC220V-240V
Input frequency :	50/60Hz
Output Current :	Max 6A
Control Way :	One way
Enclosure :	PC
Dimension(mm) :	25*40.5*61.81mm