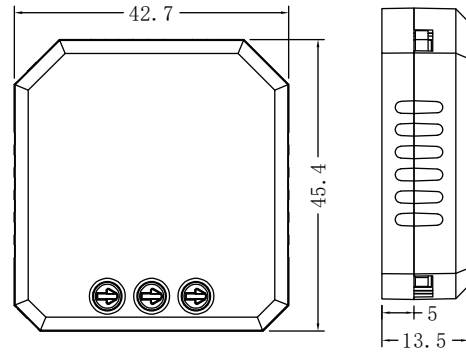
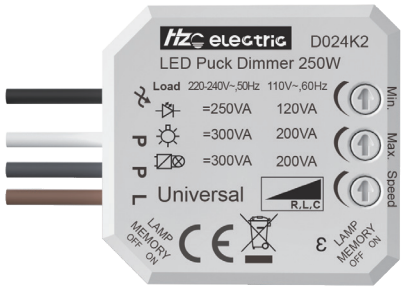


# User Guide

## LED Puck Dimmer 250W Item NO.: D024K2

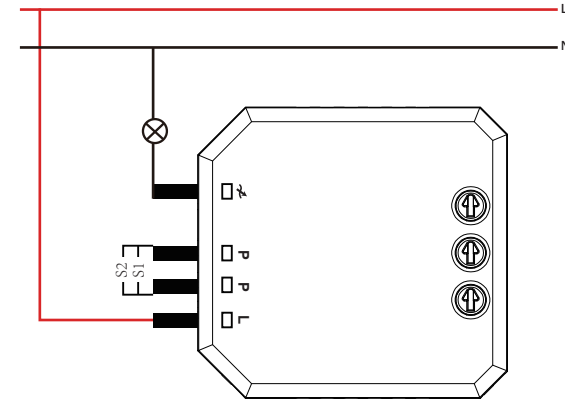


- ① Light off memory
- ② Over current protection
- ③ Over-temperaure protection
- ④ Power failure memory

### 1. Technical Data

Model No.	D024K2	
Description	LED Puck Dimmer 250W	
Input Voltage	220-240V/110V	
Input frequency	50Hz/60Hz	
Load	LED	5-250W/120W
	Incandescent	5-300W/200W
	Halogen	5-300W/200W
Dimming mode	Trailing edge	
Control Way	One way	
Material	Heatsink	Aluminum
	Bottom Case	PC
Color	White	
Weight(g)		
Dimension(mm)	42.7*45.4*13.5mm	

### 2. Dimmer wiring diagram



### 3. Operation and function

#### SETTING

1. Min. Setting  
Adjust the minimum dimming level, to avoid the lights to flicker or switch off.
2. Max. Setting  
Adjust the maximum dimming level, to avoid the lights to flicker.
3. Dimming Speed  
Adjust the dimming speed.
4. Power Memory  
ON: when the power is cut off and it returns, the lights will be on.  
OFF: when the power is cut off and it returns, the lights will be off.
5. Lamp Memory  
ON: always keep the last dimming level of the lamps.  
OFF: the lamps always turn on in the maximum level.

#### FEATURES

- Min./max. brightness setting.
- Speed adjustment setting.
- Power memory and light memory.

### 4. WARNING

- a. Installation must be carried by a qualified electrician.
- b. Before installation, please check whether it conforms to local electric standards
- c. Power supply must be turn off when install and clean the dimmer.  
Wipe the surface dust or dirt with soft cloth or tissue, do not use the detergent or other corrosive chemical solution.
- d. Please place and protect the cover properly when it' s in installation to avoid the damage.
- e. There is no strong impact, vibration, electromagnetic field interference, corrosion, or dusty gas around the usage environment
- f. The product should avoid frost, condensation, water seepage, rain, etc.